

Mamiya

SERVICE MANUAL

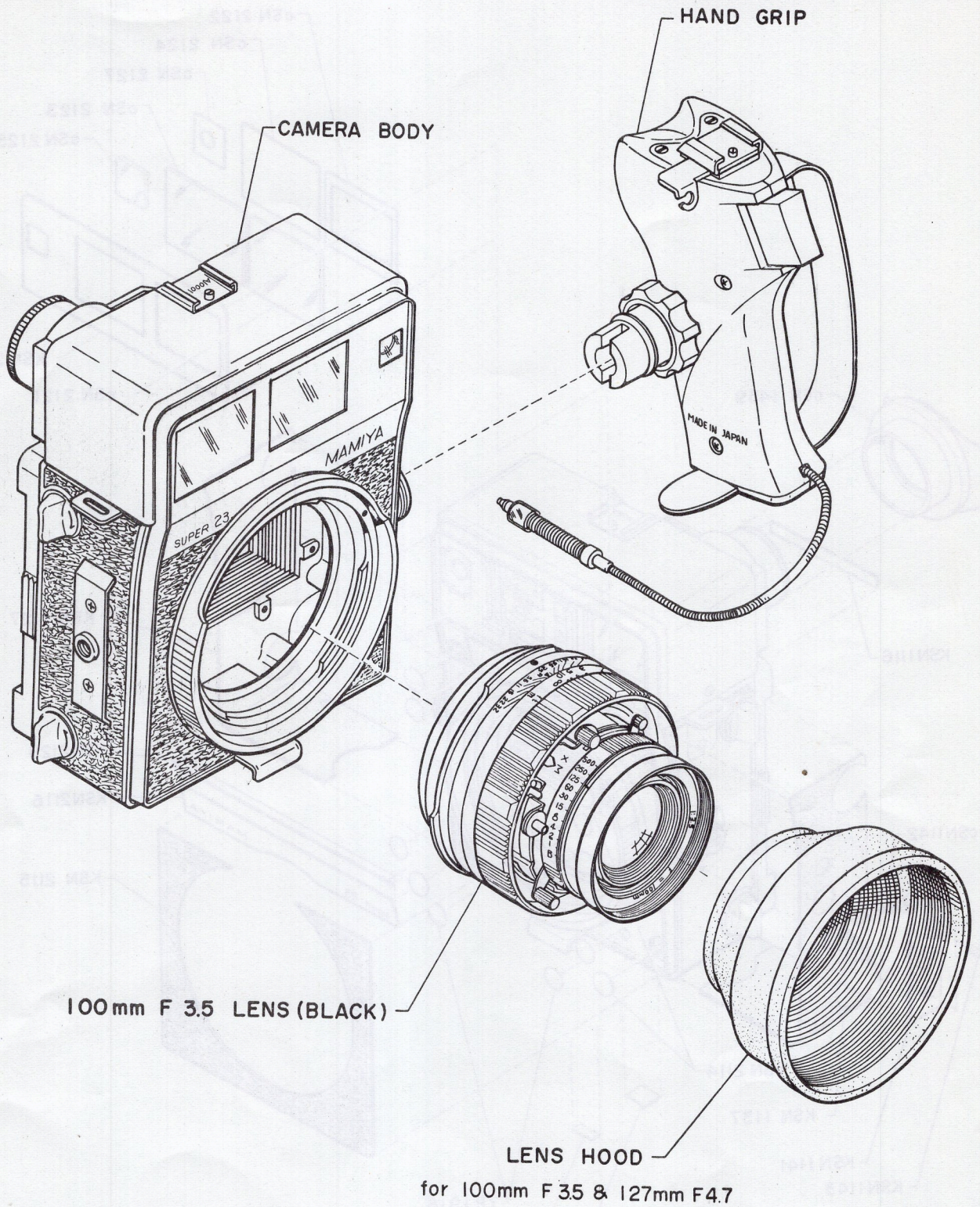
FOR

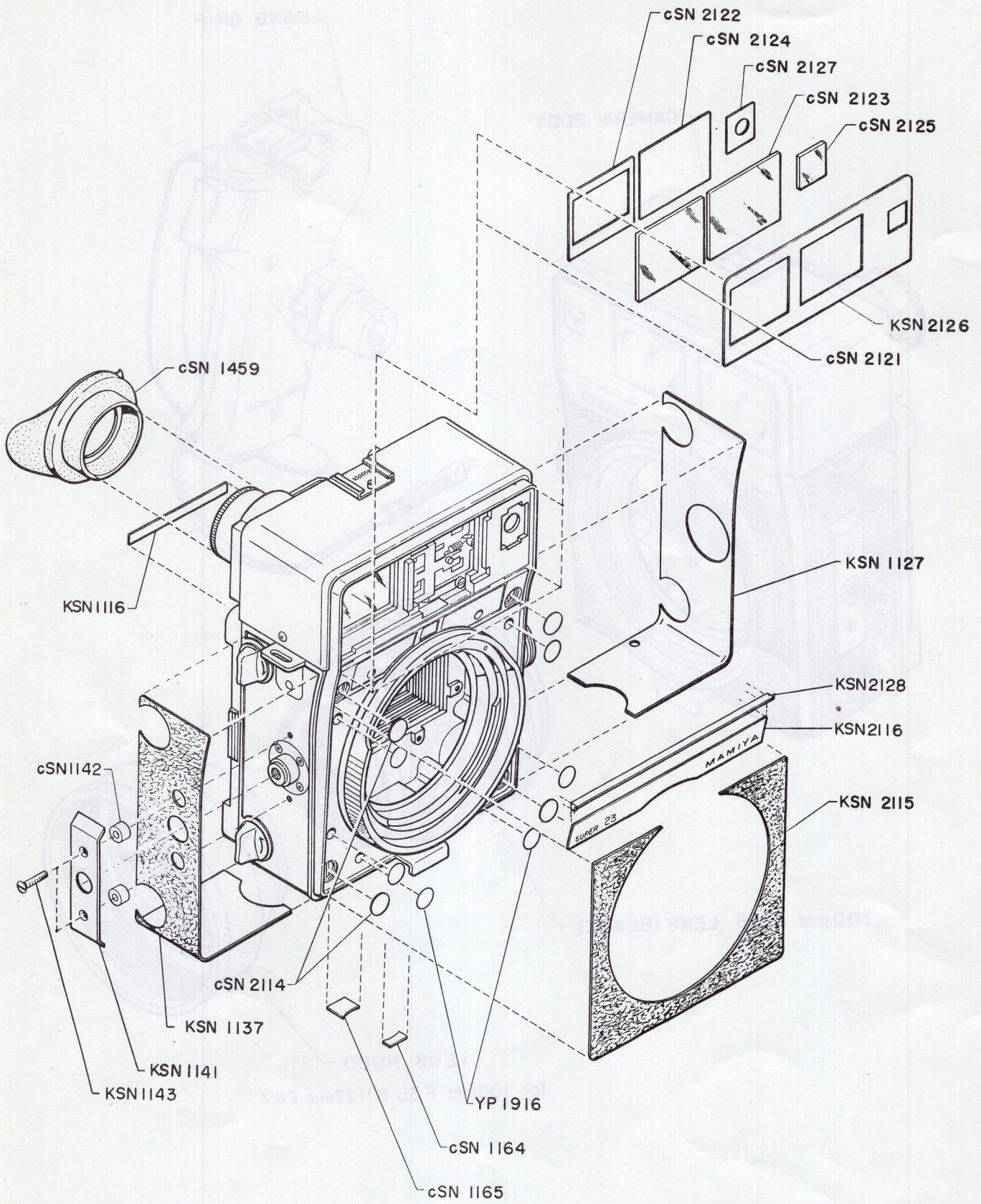
MAMIYA PRESS SUPER 23 BLACK

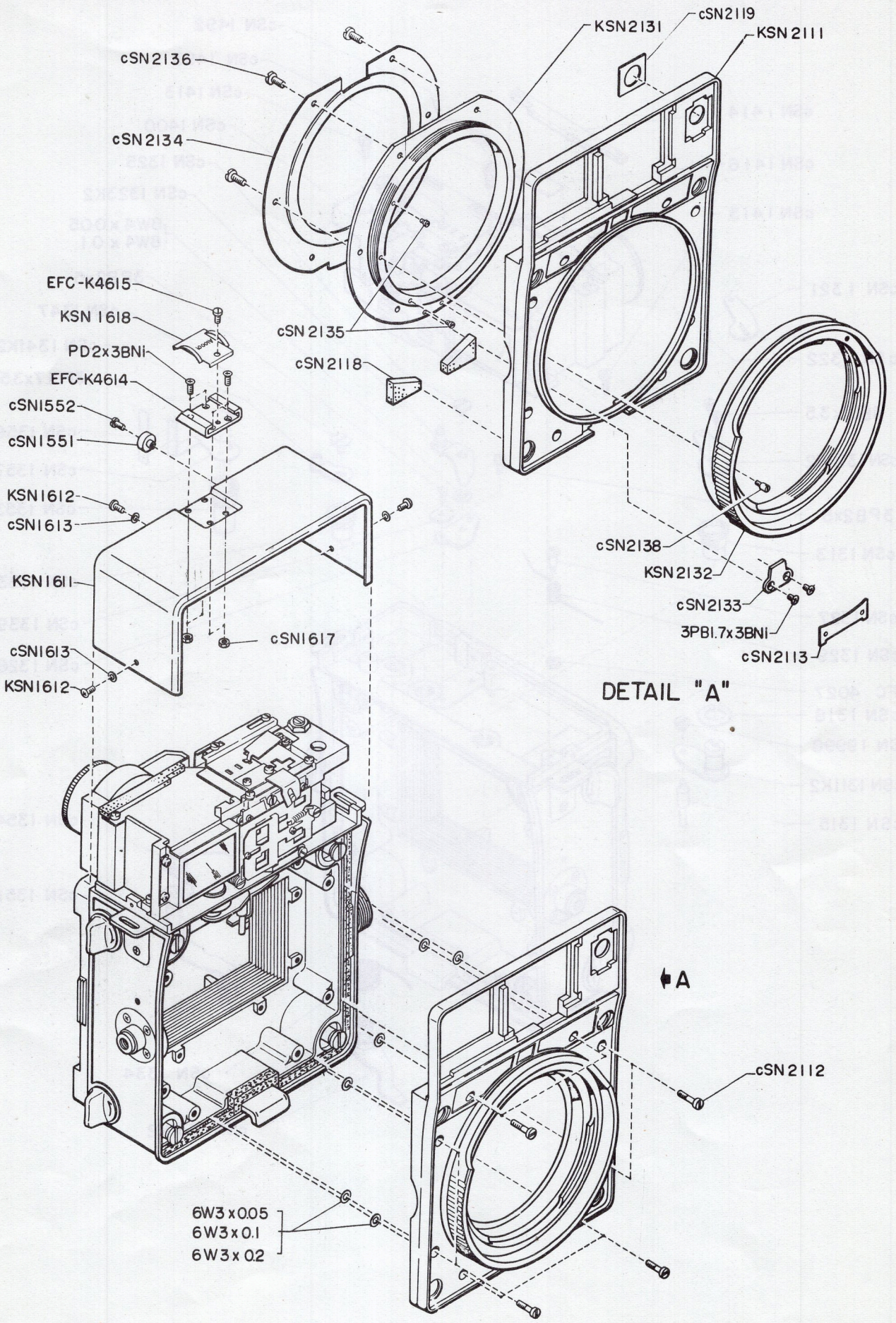
(KSN)


Mamiya
CAMERA CO., LTD.
TOKYO, JAPAN

EXPLODED VIEWS

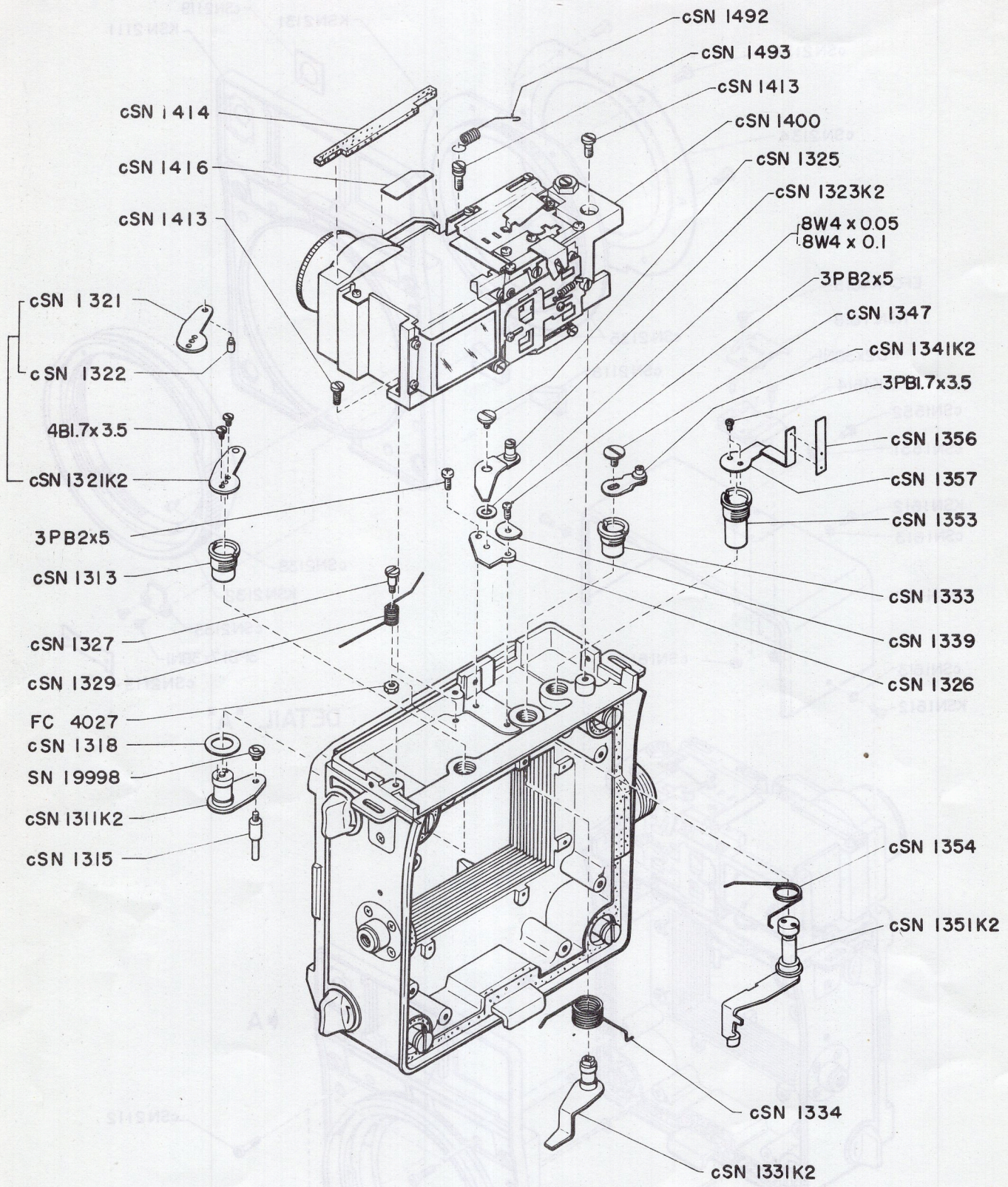


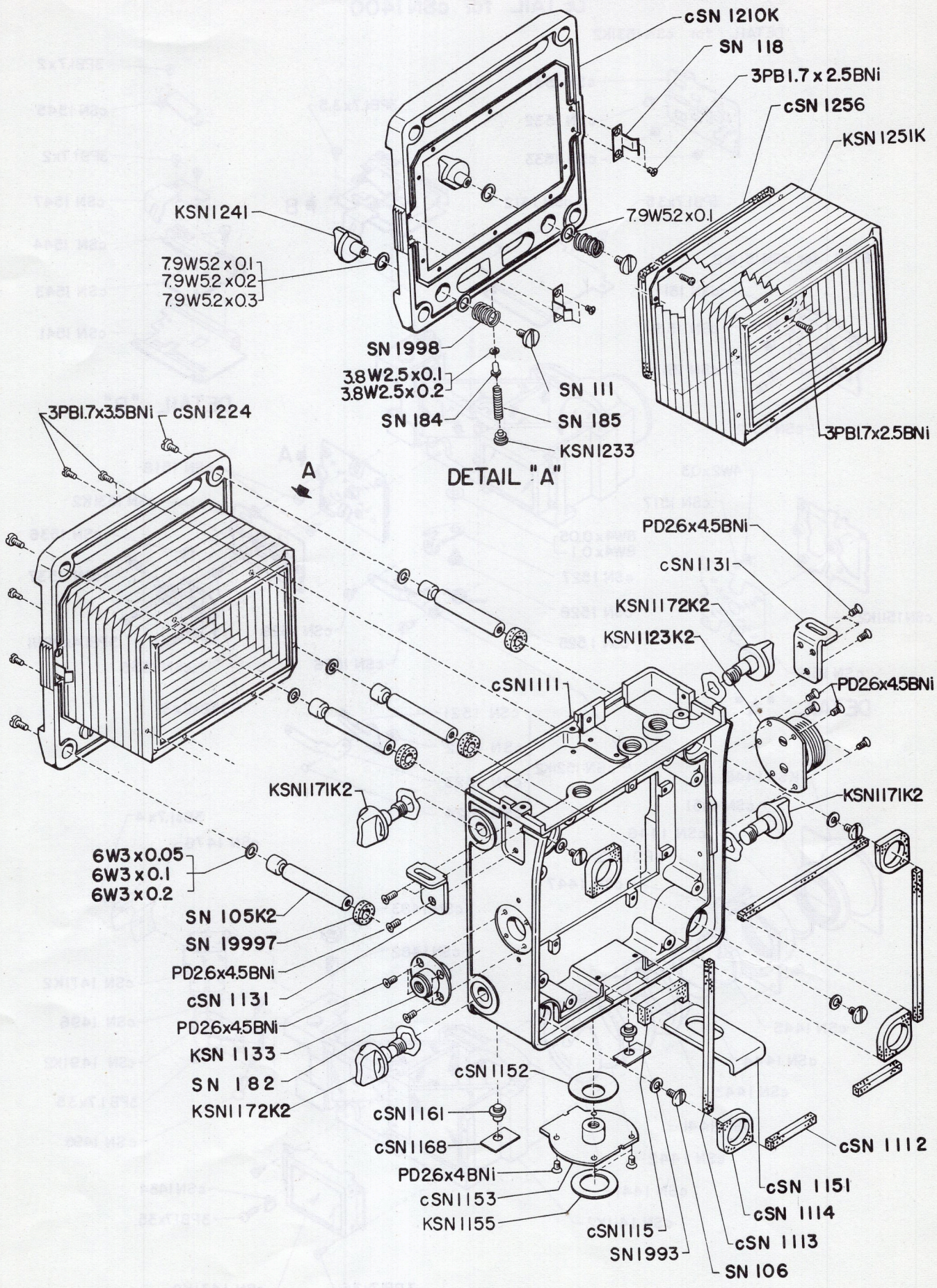




DETAIL "A"

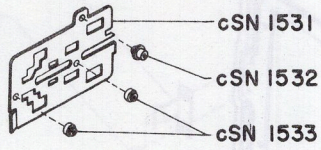
↔ A



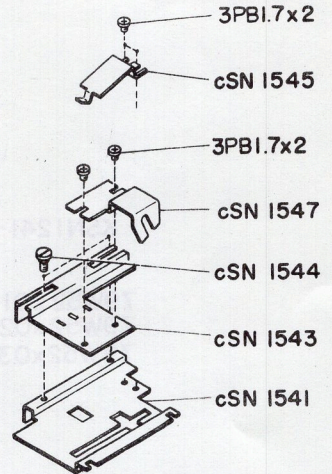
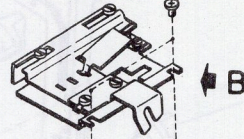


DETAIL for cSN1400

DETAIL for cSN1531K2

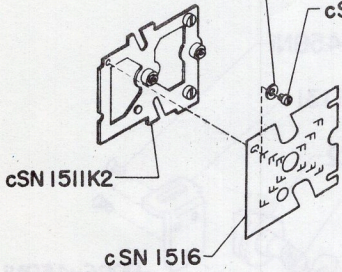
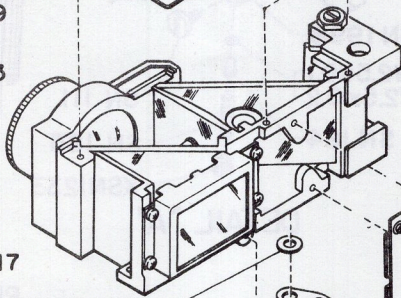
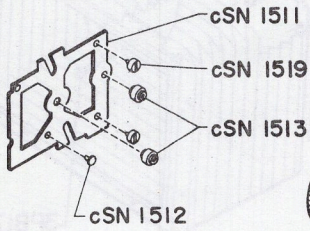


3PB1.7x3.5

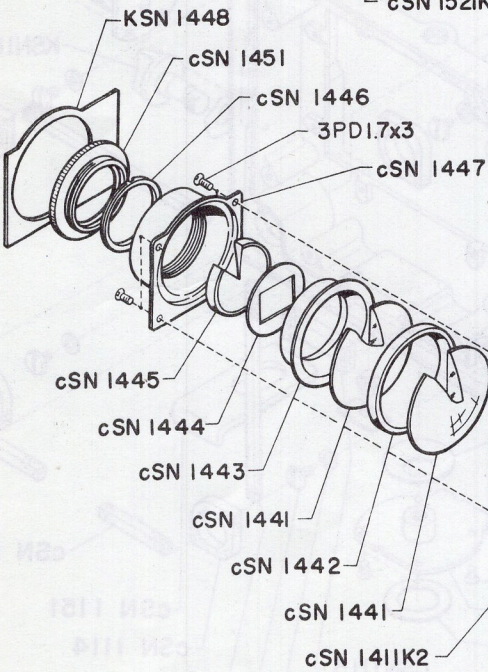


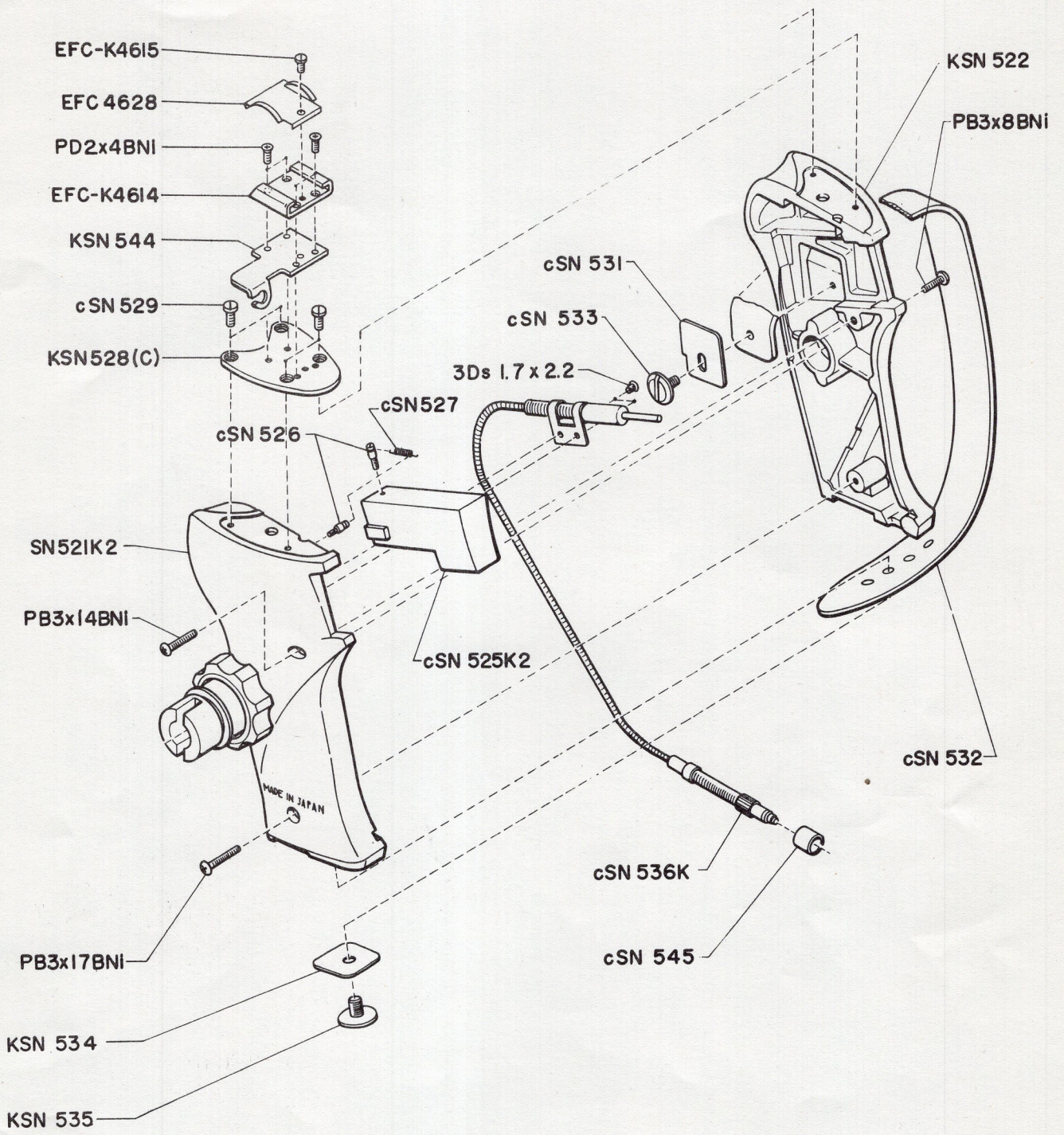
DETAIL "B"

DETAIL for cSN1511K2



DETAIL "A"





PARTS LIST

METHOD OF REQUESTING PLANE PARTS FOR REPAIR USE

PARTS LIST

When ordering parts, the following information must be furnished to our parts list:

Parts are divided as follows:

Not considered suitable for repairing
Can be supplied

Parts marked with "A" in the column of type of sale will be charged

NOTE: When ordering spare parts, always type the complete code and number in the parts list column of the appropriate

parts list.

Letters in the "REMARKS" column represent the sequence of design modification procedure, indicating that certain parts can be used in design after design modifications, while others cannot.

PARTS LIST

METHOD OF REQUESTING SPARE PARTS FOR REPAIR USE

When ordering spare parts for repair purposes, mark the request in the following manner after referring to our parts lists.

Spare parts are divided as follows:

Not considered usable for repairing x
Can be supplied o

Parts marked with " * " in the column of term of sale will be charged,

NOTE: When ordering spare parts, always type the complete code and numbers in the Parts No. column of the appropriate parts lists.

Letters in the 'Remarks' column represent the sequence of design modification procedure, indicating that certain parts can be used in common after design modifications, while others cannot.

MAMIYA PRESS SUPER 23 BLACK (KSN)

| Parts No. | Description | Pcs. | Ref. Page | Term of Sale | Common Parts No. |
|------------|--------------------------|------|-----------|--------------|------------------|
| KSN 1111 | Camera body | 1 | x | 5 | |
| CSN 1112 | Sealing sponge | 2 | 0 | 5 | |
| CSN 1113 | Sealing sponge | 3 | 0 | 5 | |
| CSN 1114 | Light baffle | 4 | 0 | 5 | |
| CSN 1115 | Light baffle | 1 | 0 | 5 | |
| KSN 1116 | Leatherette | 1 | 0 | 2 | |
| KSN 1123K2 | Grip socket assy. | 1 | 0 | 5 | |
| KSN 1127 | Leatherette | 1 | 0 | 2 | |
| CSN 1131 | Strap eyelet | 2 | 0 | 5 | |
| KSN 1133 | Flashgun mounting socket | 1 | 0 | 5 | |
| KSN 1137 | Leatherette | 1 | 0 | 2 | |
| KSN 1141 | Bracket | 1 | 0 | 2 | |
| CSN 1142 | Collar | 2 | 0 | 2 | |
| KSN 1143 | Screw | 2 | 0 | 2 | |
| CSN 1151 | Stabilizing plate | 1 | 0 | 5 | |
| CSN 1152 | Spring washer | 1 | 0 | 5 | |
| CSN 1153 | Tripod socket | 1 | 0 | 5 | |
| KSN 1155 | Leatherette | 1 | 0 | 5 | |
| CSN 1161 | Boss | 2 | 0 | 5 | |
| CSN 1164 | Plate | 1 | 0 | 2 | |
| CSN 1165 | Plate | 1 | 0 | 2 | |
| CSN 1168 | Plate | 2 | 0 | 5 | |
| KSN 1171K2 | Knob assy. (right) | 2 | 0 | 5 | |
| KSN 1172K2 | Knob assy. (left) | 2 | 0 | 5 | |
| CSN 1175 | Waved washer | 4 | 0 | 5 | SN 182 |
| CSN 1210K | Rear panel assy. | 1 | * | 5 | |
| CSN 1218 | Leaf spring | 2 | 0 | 5 | SN 118 |
| CSN 1221K2 | Joint rod assy. | 4 | 0 | 5 | SN 105K2 |
| CSN 1224 | Screw | 4 | 0 | 5 | |
| CSN 1225 | Screw | 4 | 0 | 5 | SN 106 |
| CSN 1226 | Sponge | 4 | 0 | 5 | SN 19997 |
| CSN 1228 | Spring washer | 4 | 0 | 5 | SN 1993 |
| CSN 1231 | Click | 1 | 0 | 5 | SN 184 |

| Parts No. | Description | Pcs. | Ref. Page | Term of Sale | Common Parts No. |
|--------------|----------------------|--------|-----------|--------------|------------------|
| CSN 1232 | Spring | 1 | 0 | 5 | SN 185 |
| KSN 1233 | Screw | 1 | 0 | 5 | |
| KSN 1241 | Knob | 2 | 0 | 5 | |
| CSN 1242 | Screw | 2 | 0 | 5 | SN 111 |
| CSN 1243 | Spring | 2 | 0 | 5 | SN 1998 |
| KSN 1251K | Bellows assy. | 1 | 0 | 5 | |
| CSN 1256 | Sealing sponge | 1 | 0 | 5 | SN 461 |
| CSN 1311K2 | Range lever assy. | 1 | 0 | 4 | |
| CSN 1313 | Hub | 1 | 0 | 4 | |
| CSN 1315 | Pin | 1 | 0 | 4 | |
| CSN 1316 | Nut | 1 | 0 | 4 | SN 19998 |
| CSN 1318 | Washer t=0.03 & 0.05 | 0 to 2 | 0 | 4 | |
| CSN 1319 | Nut | 1 | 0 | 4 | FC 4027 |
| CSN 1321K2 | Range lever assy. | 1 | 0 | 4 | |
| CSN 1325 | Screw | 1 | 0 | 4 | |
| CSN 1326 | Plate | 1 | 0 | 4 | |
| CSN 1327 | Screw | 1 | 0 | 4 | |
| CSN 1329 | Spring | 1 | 0 | 4 | |
| CSN 1331K2 | Parallax lever assy. | 1 | 0 | 4 | |
| CSN 1333 | Hub | 1 | 0 | 4 | |
| CSN 1334 | Spring | 1 | 0 | 4 | |
| CSN 1339 | Stopper | 1 | 0 | 4 | |
| CSN 1341K2 | Parallax lever assy. | 1 | 0 | 4 | |
| CSN 1347 | Screw | 1 | 0 | 4 | |
| CSN 1351K2 | Alarm lever assy. | 1 | 0 | 4 | |
| CSN 1353 | Hub | 1 | 0 | 4 | |
| CSN 1354 | Spring | 1 | 0 | 4 | |
| CSN 1357K2 | Signal assy. | 1 | 0 | 4 | |
| CSN 1400 | Rangefinder assy. | 1 | * | 4 | |
| CSN 1413 | Screw | 2 | 0 | 4 | |
| CSN 1414 | Light baffle | 1 | 0 | 4 | |
| CSN 1416 | Plate | 1 | 0 | 4 | |
| CSN 1492 | Spring | 1 | 0 | 4 | |
| CSN 1493 | Anchor screw | 1 | 0 | 4 | |
| KSN 1611 (H) | Top cover | 1 | * | 3 | |
| KSN 1612 | Screw | 3 | 0 | 3 | |
| CSN 1613 | Plastic washer | 3 | 0 | 3 | |

| Parts No. | Description | Pcs. | Ref. Page | Term of Sale | Common Parts No. |
|---------------|-----------------|--------|-----------|--------------|------------------|
| EFC-K4614 | Shoe | 1 | 0 | 3 | |
| EFC-K4615 | Stopper screw | 1 | 0 | 3 | |
| CSN 1617 | Nut | 4 | 0 | 3 | |
| KSN 1618 | Shoe cover | 1 | 0 | 3 | |
| KSN 2111 | Front panel | 1 | * | 3 | |
| CSN 2112 | Screw | 8 | 0 | 3 | |
| CSN 2113 | Plate | 1 | 0 | 3 | |
| CSN 2114 | Disc | 4 | 0 | 2 | |
| KSN 2115 | Leatherette | 1 | 0 | 2 | |
| KSN 2116 | Name plate | 1 | 0 | 2 | |
| CSN 2117 | Disc | 6 | 0 | 2 | YP1916 |
| CSN 2118 | Sponge | 2 | 0 | 3 | |
| CSN 2119 | Light baffle | 1 | 0 | 3 | |
| CSN 2121 | Window glass | 1 | 0 | 2 | |
| CSN 2122 | Window mask | 1 | 0 | 2 | |
| CSN 2123 | Window glass | 1 | 0 | 2 | |
| CSN 2124 | Milk-white film | 1 | 0 | 2 | |
| CSN 2125 | Window glass | 1 | 0 | 2 | |
| KSN 2126 | Window frame | 1 | 0 | 2 | |
| CSN 2127 | Frame | 1 | 0 | 2 | |
| KSN 2128 | Spacer | 1 | 0 | 2 | |
| KSN 2131 | Bayonet | 1 | 0 | 3 | |
| KSN 2132 | Bayonet ring | 1 | 0 | 3 | |
| CSN 2133 | Stopper | 1 | 0 | 3 | |
| CSN 2134 | Shading frame | 1 | 0 | 3 | |
| CSN 2135 | Screw | 2 | 0 | 3 | |
| CSN 2136 | Screw | 6 | 0 | 3 | |
| CSN 2138 | Screw | 1 | 0 | 3 | |
| PD2.6x4.5BNi | Screw | 19 | 0 | 5 | |
| 3PB1.7x2BNi | Screw | 4 | 0 | 5 | |
| 3PB1.7x3BNi | Screw | 8 | 0 | 5 | |
| 3PB1.7x2.2BNi | Screw | 10 | 0 | 5 | |
| 3PB2x5BNi | Screw | 2 | 0 | 4 | |
| 3PB1.7x3.5BNi | Screw | 4 | 0 | 4 | |
| PD2x3BNi | Screw | 4 | 0 | 3 | |
| 3.8W2.5x0.1 | Washer | 0 to 1 | 0 | 5 | |
| 3.8W2.5x0.2 | Washer | 0 to 1 | 0 | 5 | |
| 6W3x0.05 | Washer | 0 to 3 | 3 | 3 & 5 | |

| Parts No. | Description | Pcs. | Ref. Page | Term of Sale | Common Parts No. |
|-----------|-------------|--------|-----------|--------------|------------------|
| 6W3x0.1 | Washer | 0 to 3 | 0 | 3 & 5 | |
| 6W3x0.2 | Washer | 0 to 3 | 0 | 3 & 5 | |
| 8W4x0.05 | Washer | 0 to 1 | 0 | 4 | |
| 8W4x0.1 | Washer | 0 to 1 | 0 | 4 | |

Breakdown List for Special Assembly (K2)

| Parts No. | Description | Pcs. | Ref. Page | Term of Sale | Common Parts No. |
|-------------------|----------------------|------|-----------|--------------|------------------|
| <u>KSN 1123K2</u> | Grip socket assy. | 1 | 0 | 5 | |
| -KSN 1123 | Socket | 1 | 0 | - | |
| -CSN 1124 | Stopper | 2 | 0 | - | SN 141-2 |
| <u>KSN 1171K2</u> | Knob assy. (Right) | 2 | 0 | 5 | |
| -KSN 1171 | Knob | 2 | x | - | |
| -CSN 1173 | Cam | 2 | x | - | SN 120-1 |
| <u>KSN 1172K2</u> | Knob assy. (Left) | 2 | 0 | 5 | |
| -KSN 1172 | Knob | 2 | x | - | |
| -CSN 1174 | Cam | 2 | x | - | SN 120-2 |
| <u>KSN 1251K</u> | Bellows assy. | 1 | 0 | 5 | |
| -CSN 1251 | Bellows | 1 | x | - | |
| -KSN 1252 | Frame | 1 | x | - | CSN 1252 |
| -KSN 1253 | Frame | 1 | x | - | CSN 1253 |
| <u>CSN 1311K2</u> | Range lever assy. | 1 | 0 | 4 | |
| -CSN 1311 | Lever | 1 | x | - | |
| -CSN 1312 | Shaft | 1 | x | - | |
| -CSN 1347 | Screw | 1 | x | - | |
| <u>CSN 1321K2</u> | Range lever assy. | 1 | 0 | 4 | |
| -CSN 1321 | Lever | 1 | x | - | |
| -CSN 1322 | Pin | 1 | x | - | |
| <u>CSN 1323K2</u> | Idle lever assy. | 1 | 0 | 4 | |
| -CSN 1323 | Idle lever | 1 | x | - | |
| -CSN 1324 | Pin | 1 | x | - | |
| -CSN 1328 | Washer | 1 | x | - | CSN 1345 |
| <u>CSN 1331K2</u> | Parallax lever | 1 | 0 | 4 | |
| -CSN 1331 | Lever | 1 | x | - | |
| -CSN 1332 | Shaft | 1 | x | - | |
| -CSN 1347 | Screw | 1 | x | - | |
| <u>CSN 1341K2</u> | Parallax lever assy. | 1 | 0 | 4 | |
| -CSN 1341 | Lever | 1 | x | - | |
| -CSN 1342 | Pin | 1 | x | - | |
| -CSN 1345 | Washer | 1 | x | - | CSN 1328 |
| <u>CSN 1351K2</u> | Alarm lever assy. | 1 | 0 | 4 | |
| -CSN 1351 | Lever | 1 | x | - | |
| -CSN 1352 | Shaft | 1 | x | - | |

| Parts No. | Description | Pcs. | Ref. Page | Term of Sale | Common Parts No. |
|---------------------|----------------------------|------|-----------|--------------|------------------|
| <u>CSN 1357K2</u> | Signal assy. | 1 | 0 | 4 | |
| -CSN 1356 | Signal | 1 | x | 4 | |
| -CSN 1357 | Fixture signal | 1 | x | 4 | |
| -Rm 1.0 | Rivet | 2 | x | - | |
| <u>CSN 1400</u> | Rangefinder assy. | 1 | * | 4 | |
| - <u>CSN 1411K2</u> | Rangefinder assy. | 1 | x | 6 | |
| -CSN 1411 | Rangefinder body | 1 | x | | |
| -CSN 1421 | Half transparent mirror | 1 | x | | SN 318 |
| -CSN 1422 | Metal strip | 1 | x | | |
| -CSN 1425 | Large reflex mirror | 1 | x | | |
| -CSN 1426 | Washer | 1 | x | | |
| -CSN 1461 | Small concave lens | 1 | x | | |
| -CSN 1462 | Holder, small concave lens | 1 | x | | |
| -CSN 1463 | Cap, small concave lens | 1 | x | | |
| -CSN 1465 | Lens, with a hole | 1 | x | | |
| -CSN 1481 | Bottom pivot, mirror | 1 | x | | |
| -CSN 1412 | Rangefinder cover | 1 | 0 | 6 | |
| - <u>CSN 1431K2</u> | Objective lens assy. | 1 | x | 6 | |
| -CSN 1431 | Front lens | 1 | x | | |
| -CSN 1432 | Rear lens | 1 | x | | |
| -CSN 1433 | Lens holder | 1 | x | | |
| -CSN 1433 | Plate | 1 | 0 | 6 | |
| -CSN 1441 | Convex lens, eyepiece | 2 | x | 6 | |
| -CSN 1442 | Ring, convex lens | 1 | x | 6 | |
| -CSN 1443 | Ring, eyepiece | 1 | x | 6 | |
| -CSN 1444 | Mask, eyepiece | 1 | x | 6 | |
| -CSN 1445 | Concave lens, eyepiece | 1 | x | 6 | |
| -CSN 1446 | Nut | 1 | x | 6 | |
| -CSN 1447 | Holder, eyepiece | 1 | x | 6 | |
| -KSN 1448 | Leatherette, eyepiece | 1 | 0 | 6 | |
| -CSN 1451 | Ring, eyepiece | 1 | x | 6 | |
| - <u>CSN 1471K2</u> | Mirror fixture assy. | 1 | x | 6 | |
| -CSN 1471 | Mirror fixture | 1 | x | - | |
| -CSN 1472 | Mirror holder | 1 | x | - | |
| -CSN 1474 | Small reflex mirror | 1 | x | - | |
| -CSN 1477 | Mirror holder plate | 1 | x | - | |
| Rm1.5 | Rivet | 2 | x | - | |
| -CSN 1476 | Leaf spring | 2 | x | 6 | |
| -CSN 1482 | Top pivot | 1 | x | 6 | |

| Parts No. | Description | Pcs. | Ref. Page | Term of Sale | Common Parts No. |
|-----------------|--------------------------------|------|-----------|--------------|------------------|
| - CSN 1483 | Nut | 1 | x | 6 | |
| - CSN 1491K2 | Mirror lever assy. | 1 | x | 6 | |
| - CSN 1491 | Mirror lever | 1 | x | - | |
| - CSN 1494 | Stopper | 1 | x | - | |
| - CSN 1496 | Screw | 1 | 0 | 6 | |
| - 3PB1.7x3.5BNi | Screw | 9 | 0 | 6 | |
| - 3PD1.7x3BNi | Screw | 4 | 0 | 6 | |
| - 3Bs1.7x4 | Adjusting screw for 1476 | 1 | 0 | 6 | |
| - CSN 1511K2 | Plate, bright frame assy. | 1 | x | 6 | |
| - CSN 1511 | Plate, bright frame | 1 | x | 6 | |
| - CSN 1512 | Shoulder rivet | 1 | x | 6 | |
| - CSN 1513 | Boss, bright frame | 2 | x | 6 | |
| - CSN 1519 | Shoulder rivet | 2 | x | 6 | 1511K2 |
| - CSN 1516 | Bright frame film | 1 | x | 6 | |
| - CSN 1517 | Screw | 1 | x | 6 | |
| - CSN 1518 | Shoulder screw | 2 | x | 6 | |
| - CSN 1519 | Shoulder rivet | 2 | x | 6 | |
| - CSN 1521K2 | Front parallax lever assy. | 1 | x | 6 | |
| - CSN 1521 | Front parallax lever | 1 | x | 6 | |
| - CSN 1522 | Bearing | 1 | x | 6 | |
| - CSN 1523 | Connector | 1 | x | 6 | |
| - CSN 1524 | Shaft, connector | 1 | x | 6 | |
| - CSN 1525 | Spring | 1 | x | 6 | |
| - CSN 1526 | Shaft, parallax lever | 1 | x | 6 | |
| - CSN 1527 | Top parallax lever | 1 | x | 6 | |
| - CSN 1528 | Shoulder screw, parallax lever | 1 | x | 6 | |
| - CSN 1529 | Shoulder screw, connector | 1 | x | 6 | |
| - CSN 1531K2 | Masking plate assy. | 1 | x | 6 | |
| - CSN 1531 | Masking plate | 1 | x | 6 | |
| - CSN 1532 | Guiding boss | 1 | x | 6 | |
| - CSN 1533 | Collar | 2 | x | 6 | |
| - CSN 1535 | Supporting mask | 1 | x | 6 | |
| - CSN 1536 | Stopper | 1 | x | 6 | |
| - CSN 1537 | Tension spring | 1 | x | 6 | |
| - CSN 1541 | Plate, changing bright frame | 1 | x | 6 | |
| - CSN 1543 | Number plate, bright frame | 1 | x | 6 | |
| - CSN 1544 | Shoulder screw | 2 | x | 6 | |
| - CSN 1545 | Leaf spring | 1 | x | 6 | |
| - CSN 1547 | Changing plate | 1 | x | 6 | |

Hand Grip

| Parts No. | Description | Pcs. | Ref. Page | Term of Sale | Common Parts No. |
|------------------|----------------------|------|-----------|--------------|------------------|
| <u>KSN 521K2</u> | Left hand grip assy. | 1 | 0 | 7 | |
| -CSN 521 (B) | Hand grip | 1 | x | - | |
| -KSN 523 | Coupler | 1 | x | - | |
| -KSN 524 | Coupling nut | 1 | x | - | |
| -SN 546 | Knock pin | 1 | x | - | |
| CSN 522 (B) | Right hand grip | 1 | 0 | 7 | |
| <u>CSN 525K2</u> | Trigger assy. | 1 | 0 | 7 | |
| -CSN 525 | Trigger | 1 | x | - | |
| -CSN 539 | Disk | 1 | x | - | |
| CSN 526 | Anchor screw | 1 | 0 | 7 | |
| CSN 527 | Spring | 1 | 0 | 7 | |
| CSN 528 (C) | Grip plate | 1 | 0 | 7 | |
| CSN 529 | Screw | 1 | 0 | 7 | |
| CSN 531 | Belt plate | 1 | 0 | 7 | |
| CSN 532 | Grip belt | 1 | 0 | 7 | |
| CSN 533 | Screw | 1 | 0 | 7 | |
| KSN 534 | Belt plate | 1 | 0 | 7 | |
| KSN 535 | Screw | 1 | 0 | 7 | |
| CSN 536K | Cable release | 1 | 0 | 7 | |
| 3Ds1.7x2.2 | Screw | 1 | 0 | 7 | |
| EFC-K4614 | Shoe | 1 | 0 | 7 | |
| PD2x4BNi | Screw | 4 | 0 | 7 | |
| EFC-K4615 | Stopper | 1 | 0 | 7 | |
| KSN 544 | Cable release rack | 1 | 0 | 7 | |
| CSN 545 | Tube | 1 | 0 | 7 | |
| EFC 4628 | Shoe cover | 1 | 0 | 7 | |
| PB3x8BNi | Screw | 1 | 0 | 7 | |
| PB3x14BNi | Screw | 1 | 0 | 7 | |
| PB3x17BNi | Screw | 1 | 0 | 7 | |